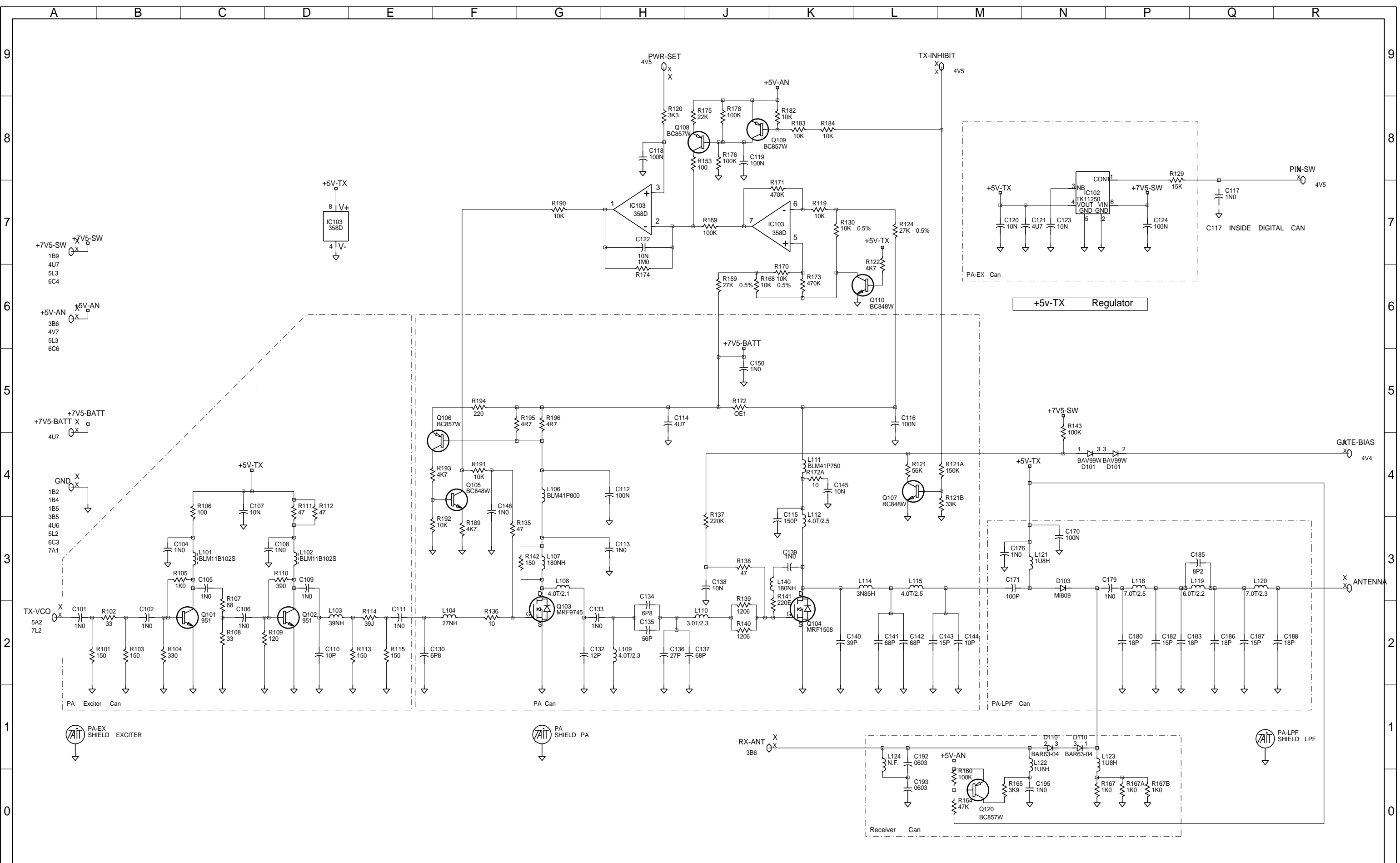


04 A	MORE PA MODS	DBH		DBH	CI	31/03/98
03 A	UPDATE TO INCL. NEW PA LINEUP	DJW/MJ	X	X	X	29/04/98
REV/ISS	AMENDMENTS	DRAWN	CHKD	D.O.	APVD	DATE

VHF
Tait Orca

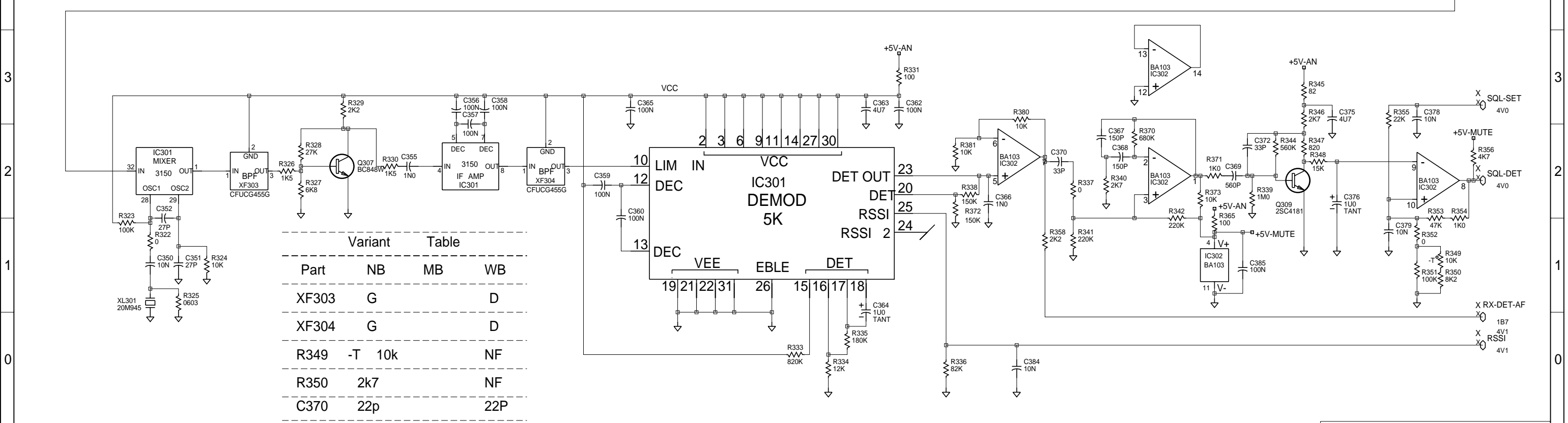
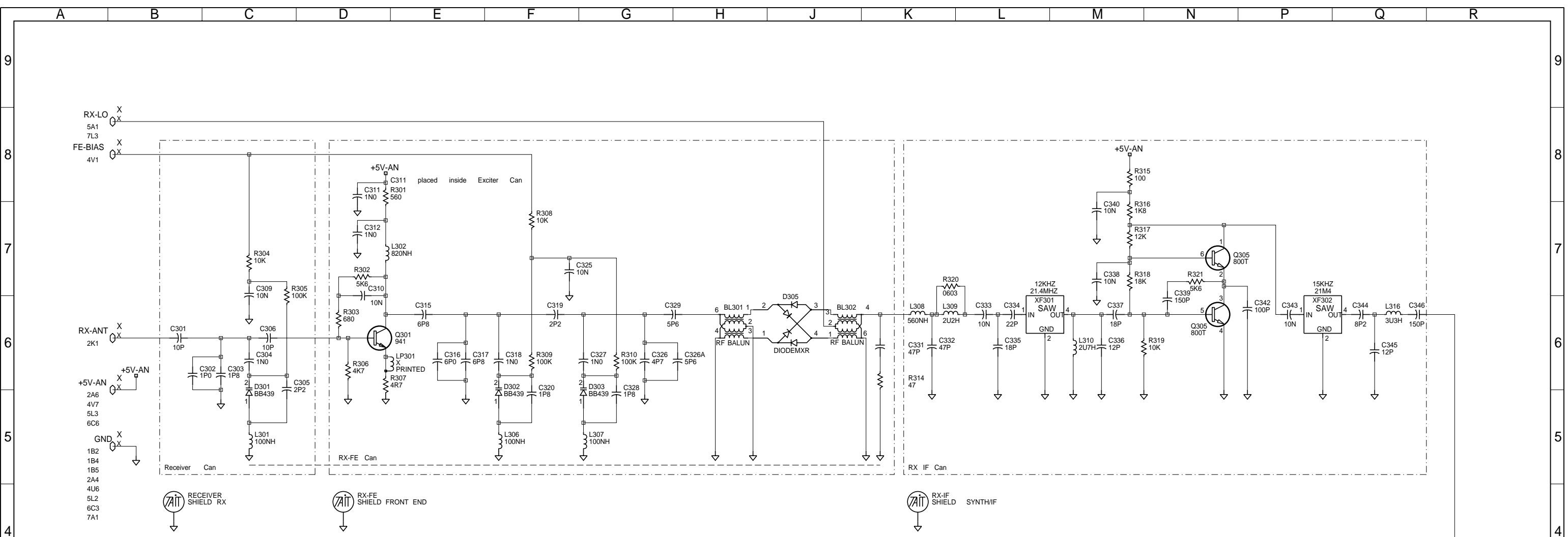
© TAIT ELECTRONICS
ORCA :TP010-3122 136-174MHZ
SYSTEM DIAGRAM

IPN:	ISSUE:	ID:
220-01401-04	B	2.S.C. 1
PROJECT:	DESIGNER:	FILE NAME:
TAIT ORCA	DBH	140104B
FILE DATE:	NO.SHEETS:	
7-2-98	8	



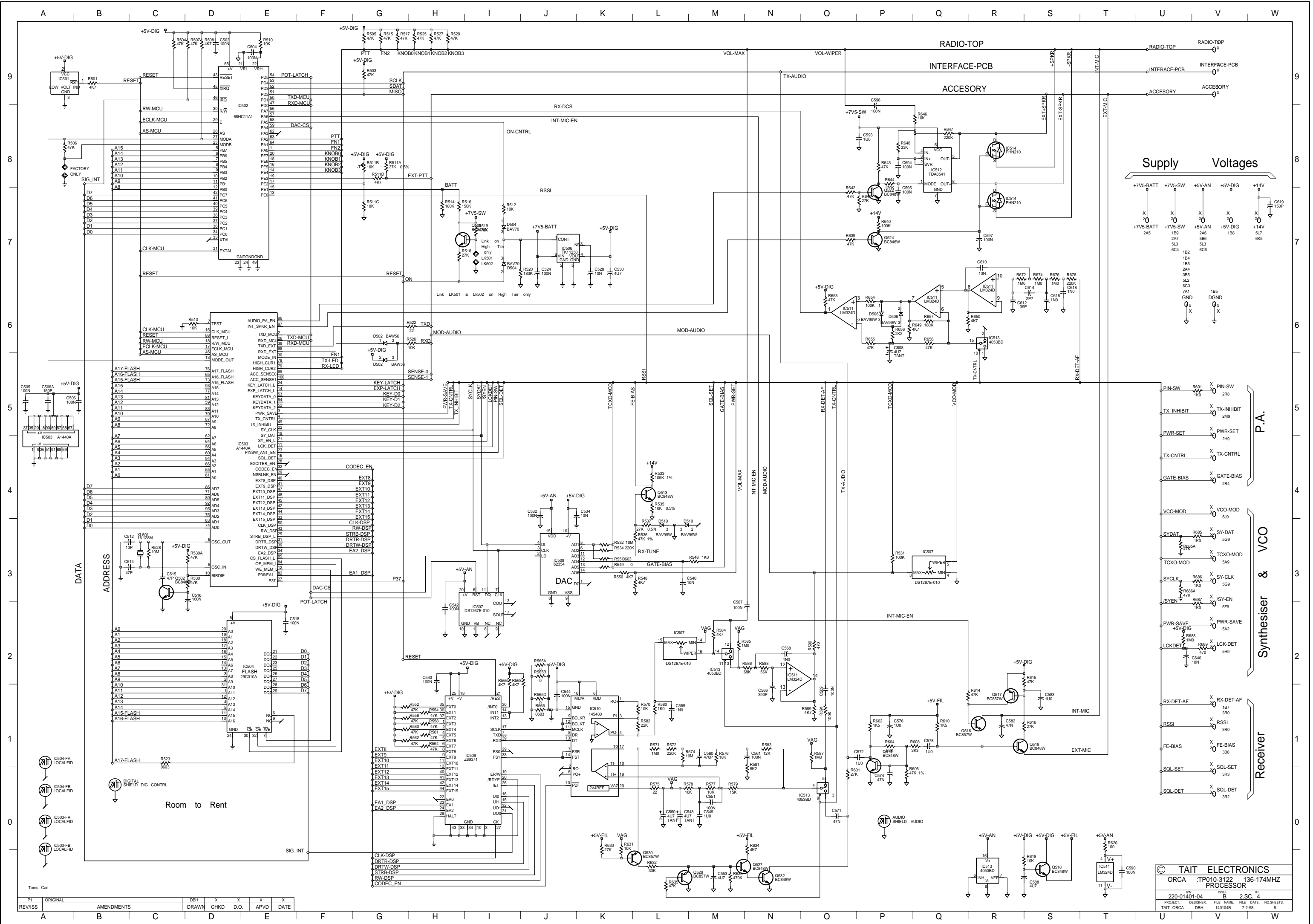
03A	NEW PA LINEUP (DW,BC-S,LL)	DJW	X	X	X	29/04/98
REV/ISS	AMENDMENTS	DRAWN	CHKD	D.O.	APVD	DATE

© TAIT ELECTRONICS
 ORCA :TP010-3122 136-174MHZ
 POWER AMPLIFIER
 IPN: 220-01401-04 ISSUE: B ID: 2.S.C. 2
 PROJECT: TAIT ORCA DESIGNER: DBH FILE NAME: 140104B FILE DATE: 7-2-98 NO.SHEETS: 8



03 A	COMP.VALUE CHANGES IN FRONT END.	DJW	X	X	X	28/04/98
REV/ISS	AMENDMENTS	DRAWN	CHKD	D.O.	APVD	DATE

© TAIT ELECTRONICS
 ORCA :TP010-3122 136-174MHZ RECEIVER
 IPN: 220-01401-04 ISSUE: B ID: 2.S.C. 3
 PROJECT: TAIT ORCA DESIGNER: DBH FILE NAME: 140104B DATE: 7-2-98 NO.SHEETS: 8



Supply Voltages

+7V5-BATT	X	1B2	1B4	1B5	2A4	3B5	5L2	6C3	7A1	GND
+7V5-SW	X	1B9	2A7	5L3	6C4					
+5V-AN	X	2A6	3B6	5L3	6C5					
+5V-DIG	X	1B8								
+14V	X	5L7	6K5							

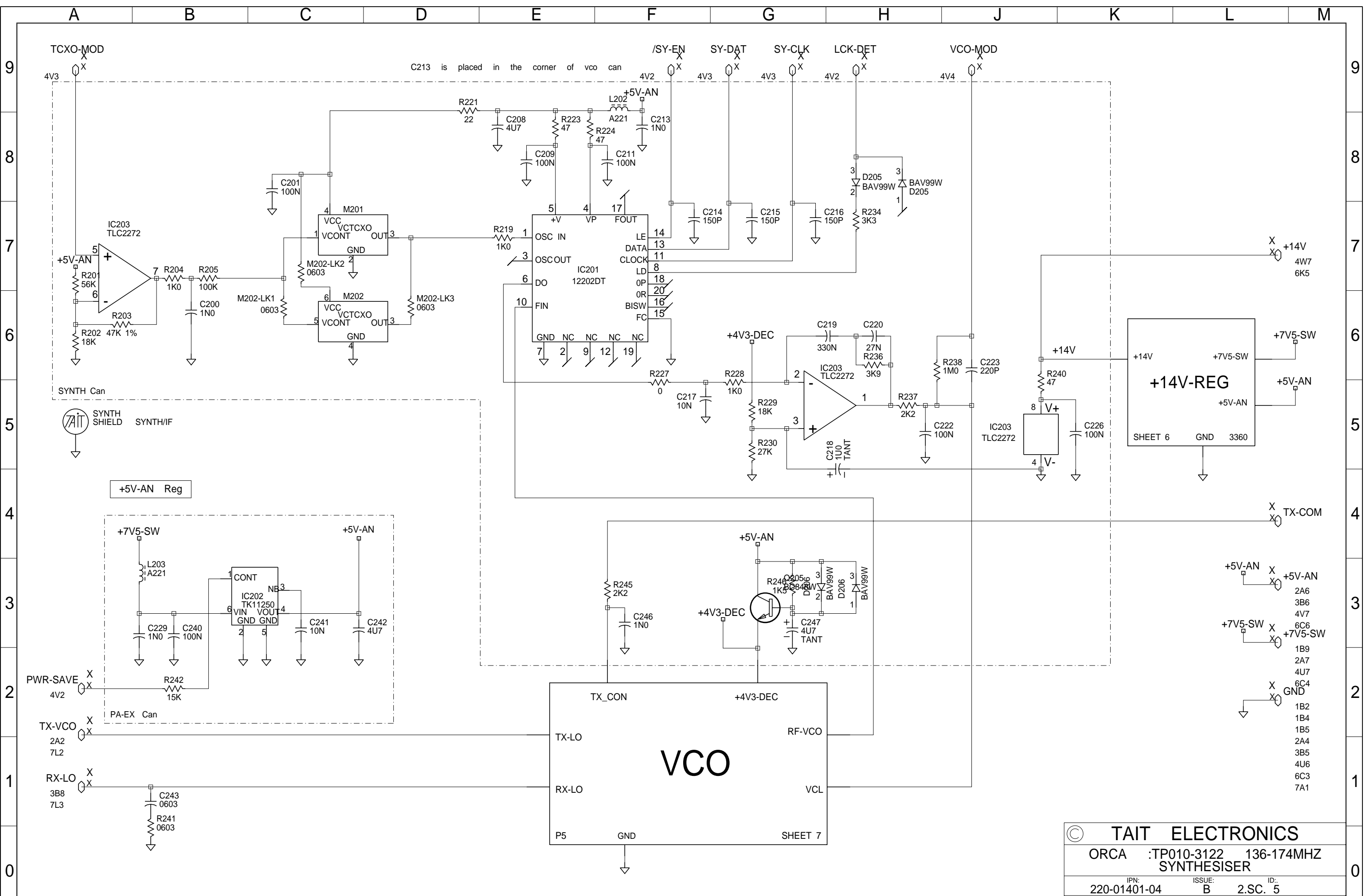
- P.A.**
- PIN-SW
 - TX-INHIBIT
 - PWR-SET
 - TX-CNTRL
 - GATE-BIAS

- Synthesiser & VCO**
- VCO-MOD
 - SY-DAT
 - TCXO-MOD
 - SY-CLK
 - SY-EN
 - PWR-SAVE
 - LCK-DET

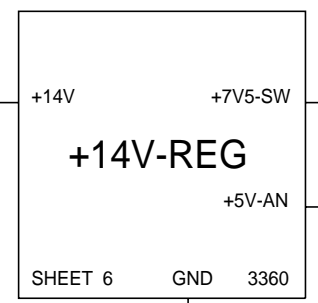
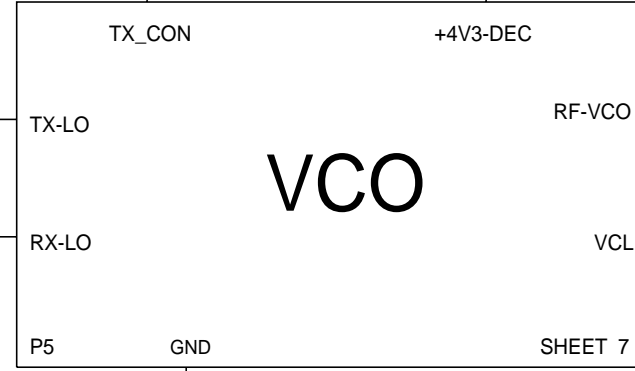
- Receiver**
- RX-DET-AF
 - RSSI
 - FE-BIAS
 - SOL-SET
 - SOL-DET

© TAIT ELECTRONICS
 ORCA :TP10-3122 136-174MHZ
 PROCESSOR
 220-01401-04 B 2-SC 4
 PROJECT DESIGNER FILE NAME FILE DATE NO SHEETS
 TAIT ORCA DBH 140104B 7-2-98 8

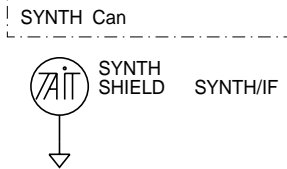
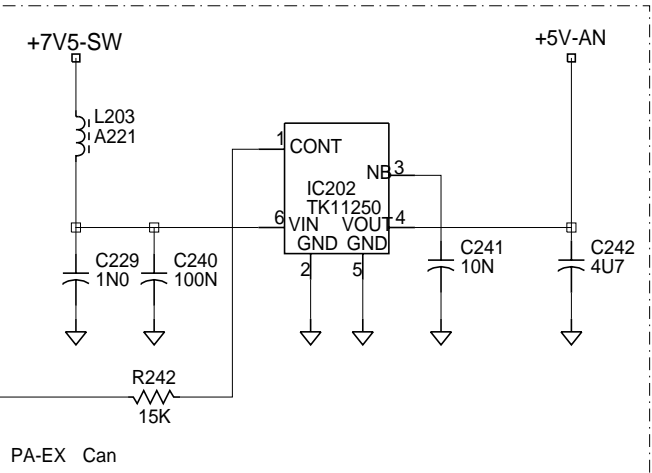
REV/ISS	ORIGINAL	AMENDMENTS	DBH	X	X	X	X
			DRAWN	CHKD	D.O.	APVD	DATE
A							
B							
C							
D							
E							
F							
G							
H							
I							
J							
K							
L							
M							
N							
O							
P							
Q							
R							
S							
T							
U							
V							
W							



C213 is placed in the corner of vco can

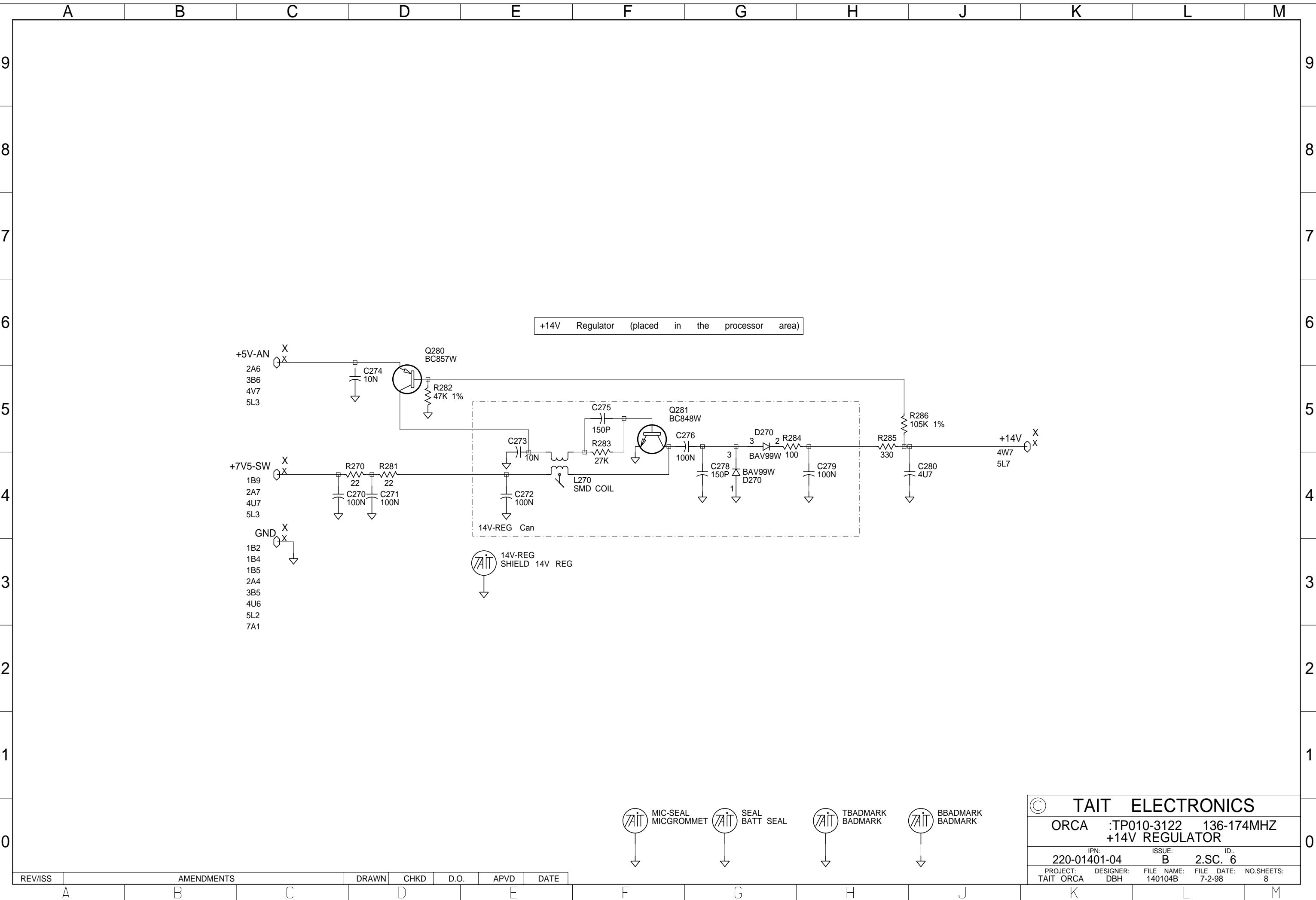


+5V-AN Reg

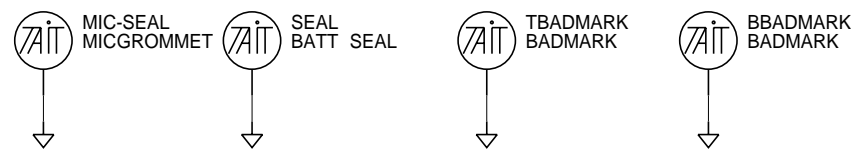
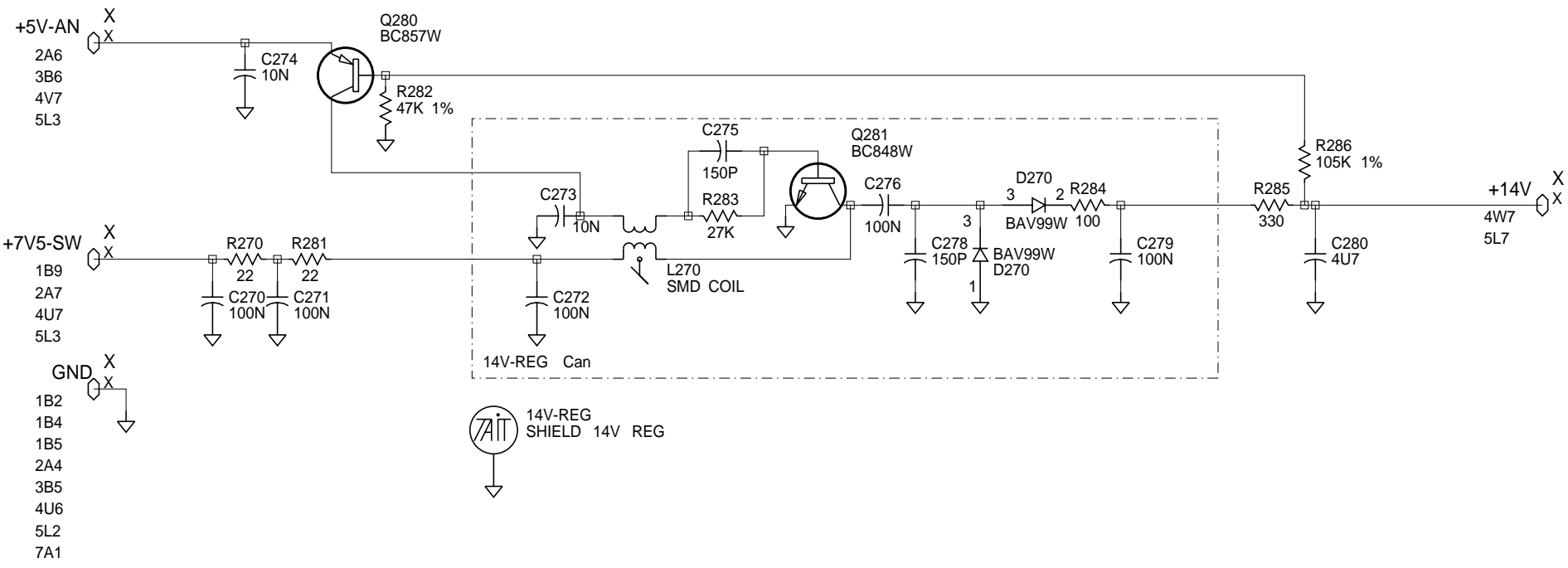


© TAIT ELECTRONICS				
ORCA	:TP010-3122	136-174MHZ	SYNTHESISER	
IPN:	ISSUE:	ID:		
220-01401-04	B	2.SC. 5		
PROJECT:	DESIGNER:	FILE NAME:	FILE DATE:	NO.SHEETS:
TAIT ORCA	DBH	140104B	7-2-98	8

REV/ISS	AMENDMENTS	DRAWN	CHKD	D.O.	APVD	DATE

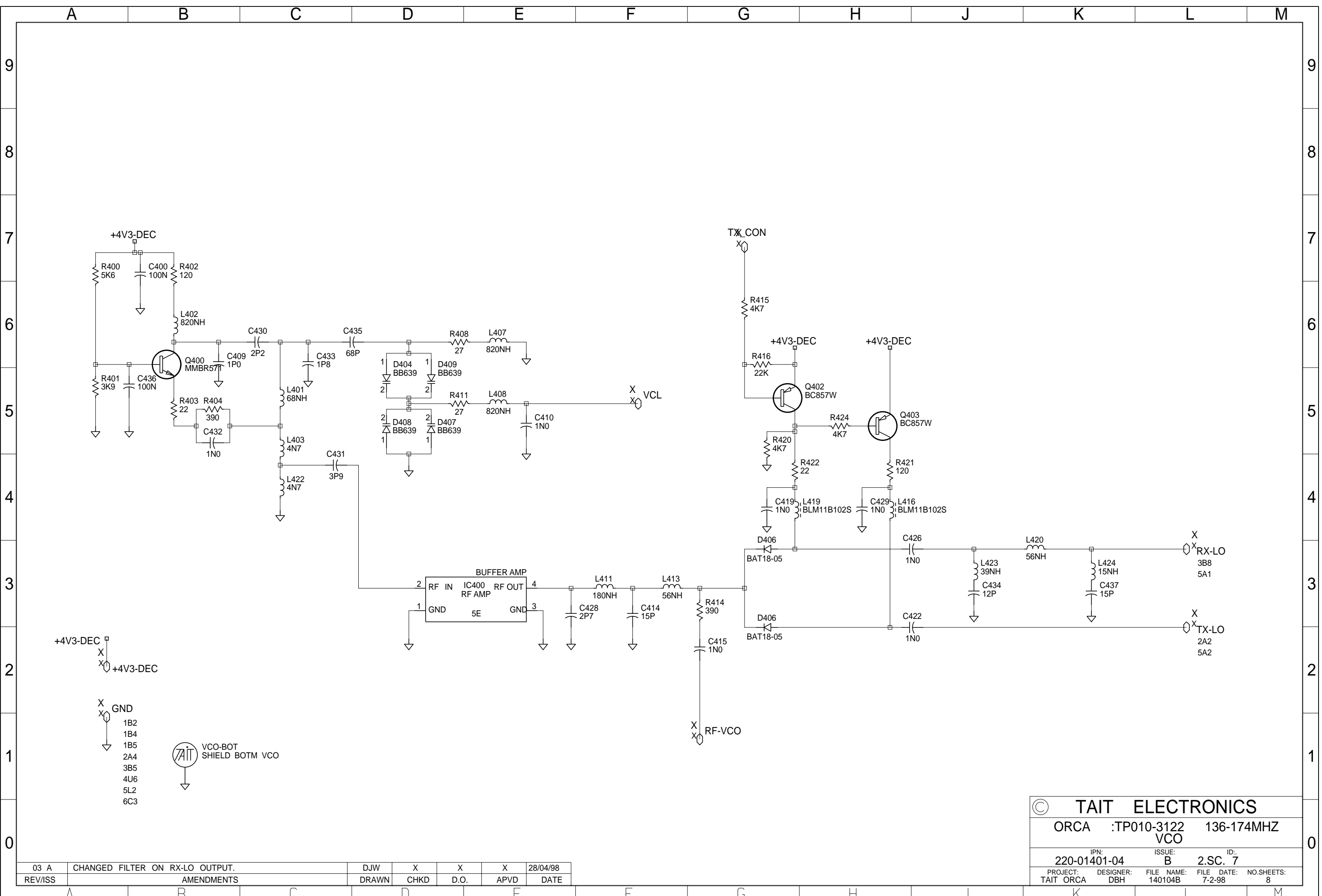


+14V Regulator (placed in the processor area)



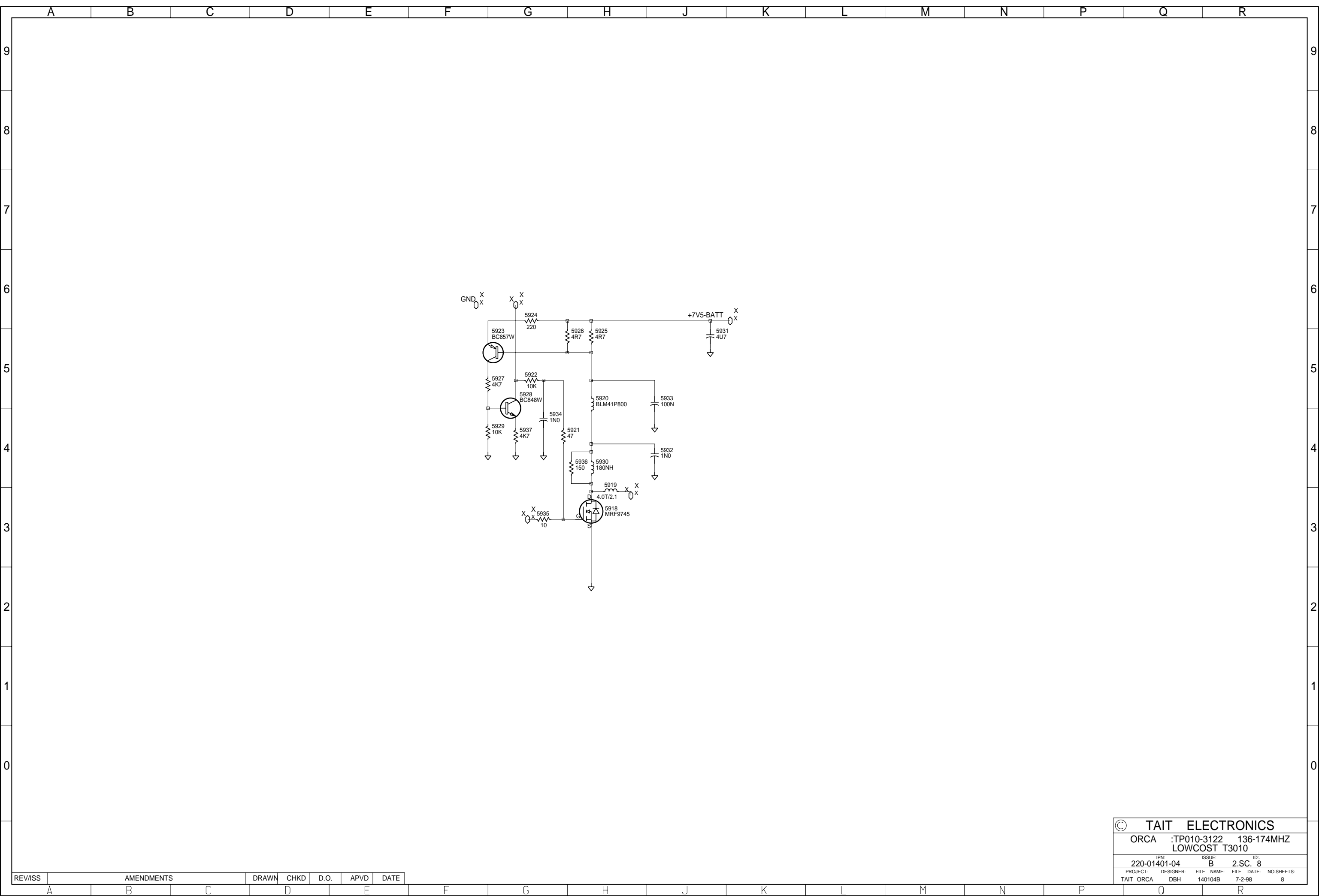
© TAIT ELECTRONICS				
ORCA	:TP010-3122	136-174MHZ	+14V REGULATOR	
IPN:	220-01401-04	ISSUE:	B	ID: 2.SC. 6
PROJECT:	TAIT ORCA	DESIGNER:	DBH	FILE NAME: 140104B
		FILE DATE:	7-2-98	NO.SHEETS: 8

REV/ISS	AMENDMENTS	DRAWN	CHKD	D.O.	APVD	DATE
---------	------------	-------	------	------	------	------



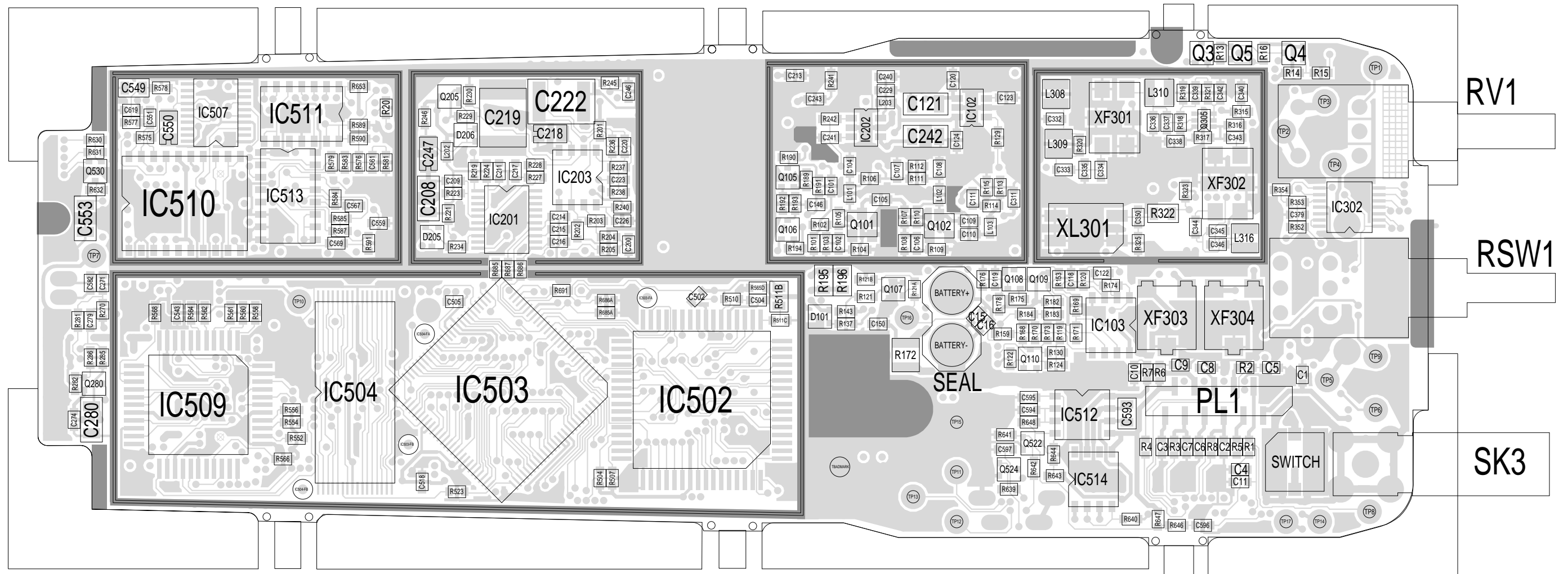
03 A	CHANGED FILTER ON RX-LO OUTPUT.	DJW	X	X	X	28/04/98
REV/ISS	AMENDMENTS	DRAWN	CHKD	D.O.	APVD	DATE

© TAIT ELECTRONICS					
ORCA		:TP010-3122	136-174MHZ		
VCO					
220-01401-04		ISSUE: B	ID: 2.SC. 7		
PROJECT:	DESIGNER:	FILE NAME:	FILE DATE:	NO.SHEETS:	
TAIT ORCA	DBH	140104B	7-2-98	8	



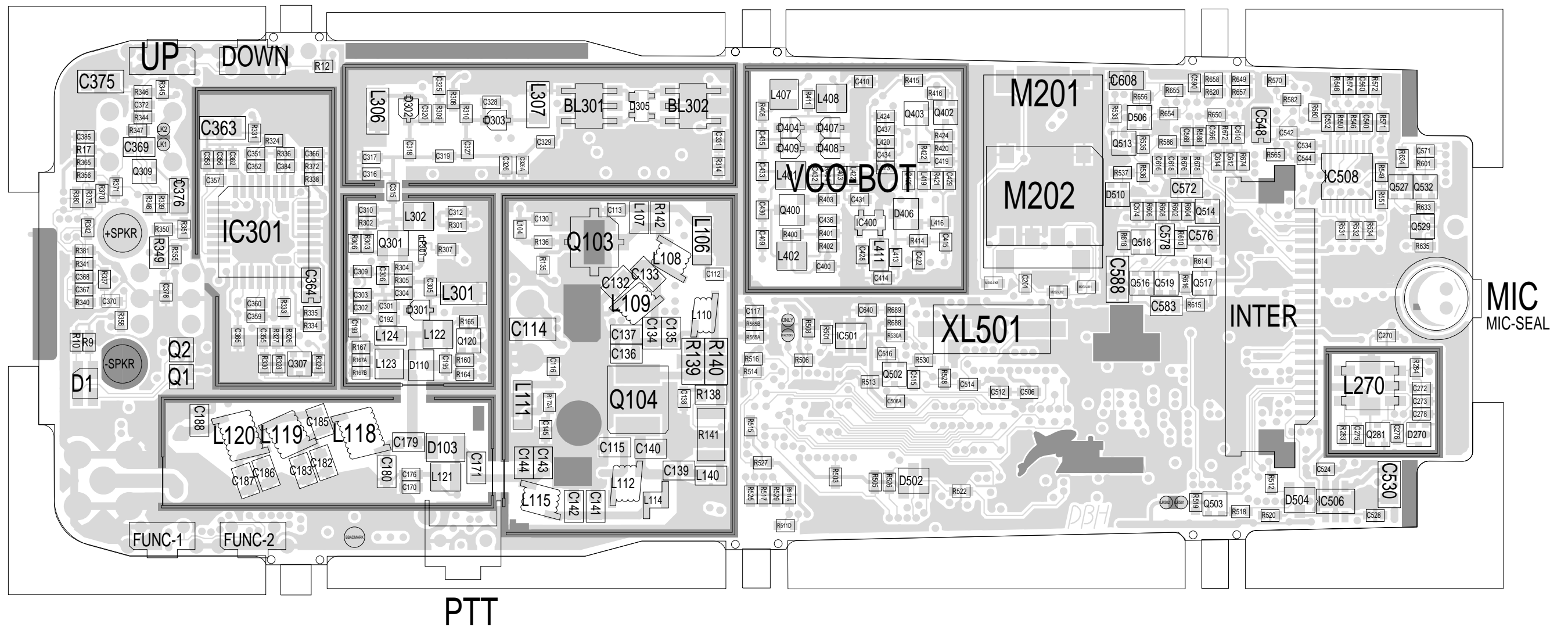
© TAIT ELECTRONICS			
ORCA :TP010-3122		136-174MHZ	
LOWCOST T3010			
IPN:	ISSUE:	ID:	
220-01401-04	B	2.SC. 8	
PROJECT:	DESIGNER:	FILE NAME:	FILE DATE:
TAIT ORCA	DBH	140104B	7-2-98
NO.SHEETS:		8	

REV/ISS	AMENDMENTS	DRAWN	CHKD	D.O.	APVD	DATE
A						



TAIT ELECTRONICS	IPN: 220-01401-04	ISS: -04B	ID: 1.TA	DATE: 13 Jul 1998
ORCA VHF PCB LAYOUT - TOP SIDE				

Scale: 2.3:1 ; Rotation: 0 degrees



TAIT ELECTRONICS IPN: 220-01401-04 ISS: -04B ID: 6.BA DATE: 13 Jul 1998
 ORCA VHF PCB LAYOUT - BOTTOM SIDE

Scale: 2.3:1 ; Rotation: 0 degrees